



SEPTEMBER 22 ~ OCTOBER 3, 2010

2010 NEW COMMERCIAL EXHIBIT APPLICATION

1142 SOUTH "P" STREET BAKERSFIELD, CA 93307 661.833.4900 ~ f 661.836.2743 www.kerncountyfair.com

Please type or print (application will be returned if not legible or incomplete)

Applicant Name Title

Company Name As it appears on Certificate of Insurance

Street Address

City State Zip

Phone Facsimile Cell Phone Emergency Phone

Are you a non-profit organization? Yes No

All exhibitors must obtain General Liability and Property Damage Insurance and submit a copy to the Commercial Exhibits Department before September 1, 2010.

Insurance and Liability Co. Name or Master List #

CA State Board of Equalization Resale # Fed. ID/SS #

Do you conduct demonstrations/pitch with a sound system? Yes No Conduct drawings? Yes No

Desired space location: Space size required: Inside Outside 10 x 10 10 x 20 10 x 30 Other

Product Information: A detailed product list must be attached to this application. Also include a photo of booth displaying products. If accepted as a commercial vendor you will not be permitted to display or sell any items not listed on the final contract.

Note: I understand by signature below that only the following products/items are considered exclusive: Kitchen Craft; Luster Craft Cookware; souvenirs; inflatable blow-up toys; helium filled balloons; light-up items (swords, sticks, jewelry); glow items.

No other product/item are exclusive inside or outside — your neighbor may have a similar product!

Complete and accurate information on this form is required to be considered for an exhibit space. Submission of this application does not guarantee a space reservation. Do not send fees with this application. Promotional items/samples sent to the fair will not be returned.

Signature Date

Kern County Fair Information

September 22 ~ October 3, 2010

2010 Exhibitor Space Fees

- Each 10' x 10' Exhibitor Space ~ \$1,000.00
- There are no refunds on Exhibit Space for any reason
- Do not send money now. Full nonrefundable space value will be required when space is assigned
- You will be notified by letter if and when space is available

You will receive the following Admission & Parking Passes

	10'x10' Space	10'x20' Space	10'x30' Space
Daily Admission	Total 50	Total 90	Total 96
Daily Parking	Total 50	Total 50	Total 60

- Issued admission & parking passes cannot be traded
- Gate 32 Parking Stickers may be purchased for \$60 and are nontransferrable
- Additional Daily Admissions are available at a \$1 discount ~ \$7
- Additional Daily Parking ~ \$5

Fair Admission

Adult ~ \$8
 Child ~ \$3 (6 - 12)
 Parking ~ \$5

Official Fair Hours

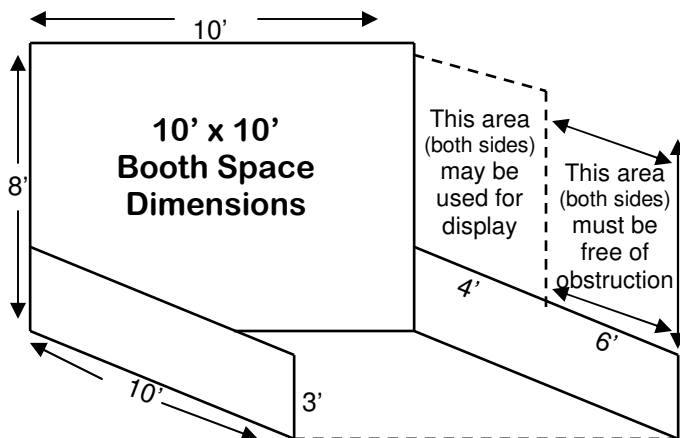
Monday - Thursday ... 3 pm to 10 pm
 Friday, 9/24 ... 10:30 am to 11 pm
 Friday, 10/1 3pm to 11pm
 Saturdays ... Noon to 11 pm
 Sundays ... Noon to 10 pm

Special Days

Senior Day
 Friday, September 24th
 Commercial Buildings open - 10:30 am

School Days
 Tuesday, September 28th &
 Wednesday, September 29th
 Commercial Buildings open - 3 pm

Special Friends Day
 Thursday, September 30th
 Commercial Buildings open - 3 pm



INSIDE BOOTH INCLUDES:

- 8' draped backwall
- 4' draped side dividers
- 1 outlet - up to 700 watts
- Admission & parking passes

Fair does not provide chairs or tables to inside booths.

Phone Service only available along wall spaces.